

Engineering Specification

Job Name _____

Contractor _____

Job Location _____

Approval _____

Engineer _____

Contractor's P.O. No. _____

Approval _____

Representative _____

Tag _____

CO-190-PR-60 PVC Adjustable Floor Cleanout with Integrated Level

Specification

Watts Pronto!® CO-190-PR-60 PVC floor cleanout with anchor flange, post-pour adjustable round nickel bronze cover with integrated bubble level, leveling shims, and PVC socket outlet (standard).



Pipe Sizing		
Suffix	Description	
2	2"(51) Pipe Size	<input type="checkbox"/>
3	3"(76) Pipe Size	<input type="checkbox"/>
4	4"(102) Pipe Size	<input type="checkbox"/>

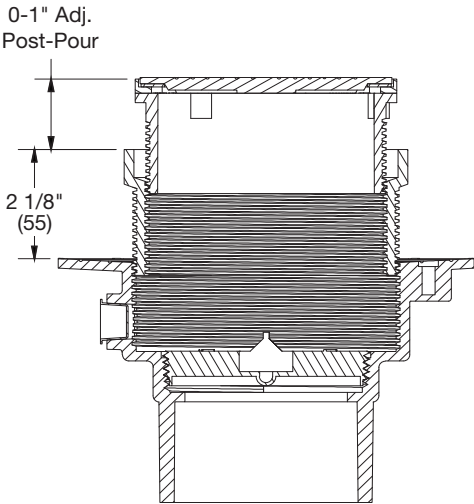
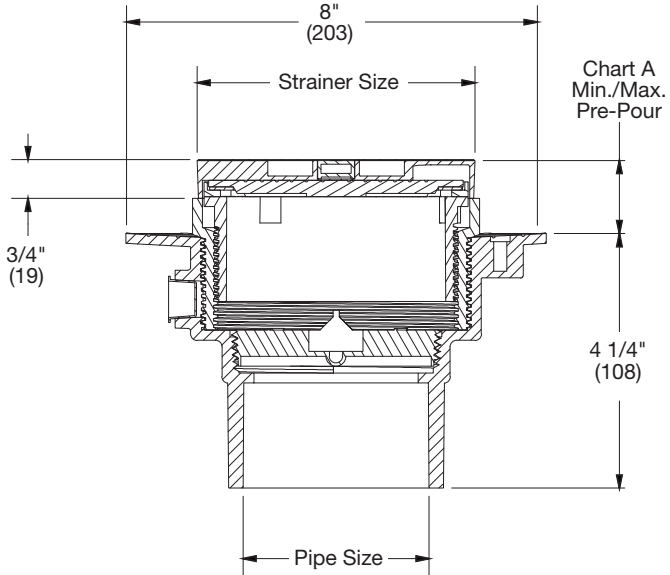
Chart A				
Cover Size	Min.	Max.	Load Rating	
5"(127)	1 7/16"	2 15/16"	MD	
6"(152)	1 7/16"	2 15/16"	LD	

Outlet Type		
Suffix	Description	
NH	No Hub	<input type="checkbox"/>

Chart B			
Pipe Size	Std 60 PVC	No Hub	
2"(51)	4 1/4"(108)	4 3/4"(121)	
3"(76)	4 1/4"(108)	4 3/4"(121)	
4"(102)	4 1/4"(108)	4 3/4"(121)	

Cover		
Suffix	Description	
PR5	5"(127) Dia., Nickel Bronze	<input type="checkbox"/>
PR6	6"(152) Dia., Nickel Bronze	<input type="checkbox"/>

Options		
Suffix	Description	
-C	SS Membrane Clamp	<input type="checkbox"/>
-6	Vandal Proof	<input type="checkbox"/>



Please refer to watts.com for BAA information on specific models.

NOTICE

The information contained herein is not intended to replace the full product installation and safety information available or the experience of a trained product installer. You are required to thoroughly read all installation instructions and product safety information before beginning the installation of this product.

Watts product specifications in U.S. customary units and metric are approximate and are provided for reference only. For precise measurements, please contact Watts Technical Service. Watts reserves the right to change or modify product design, construction, specifications, or materials without prior notice and without incurring any obligation to make such changes and modifications on Watts products previously or subsequently sold.



USA: T: (800) 338-2581 • F: (828) 248-3929 • Watts.com
Canada: T: (888) 208-8927 • F: (888) 479-2887 • Watts.ca
Latin America: T: (52) 55-4122-0138 • Watts.com